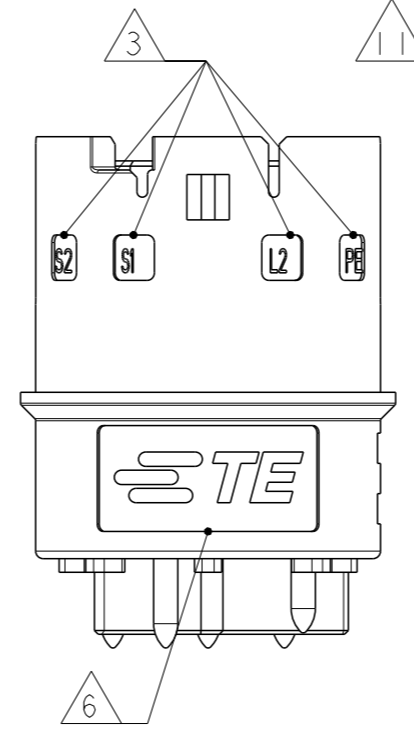
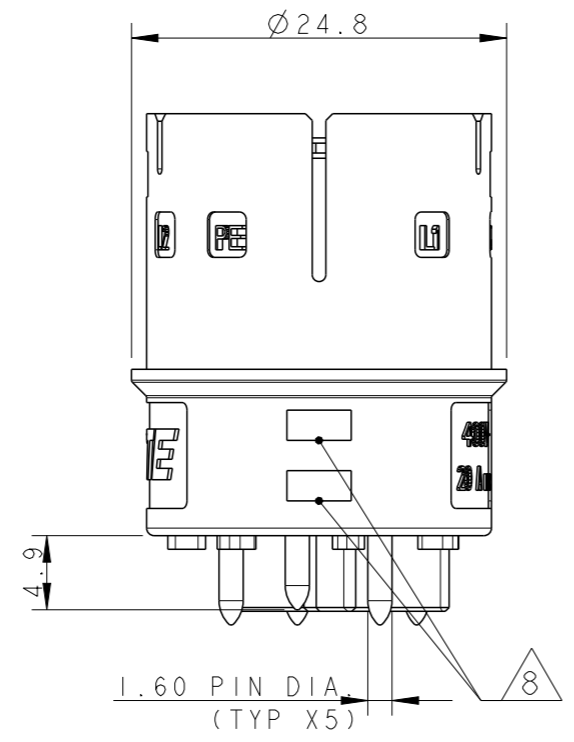
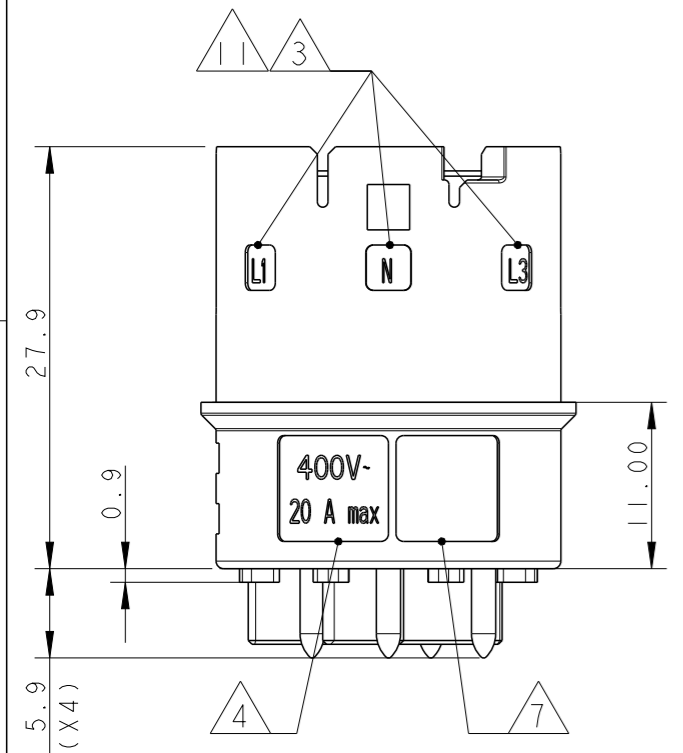
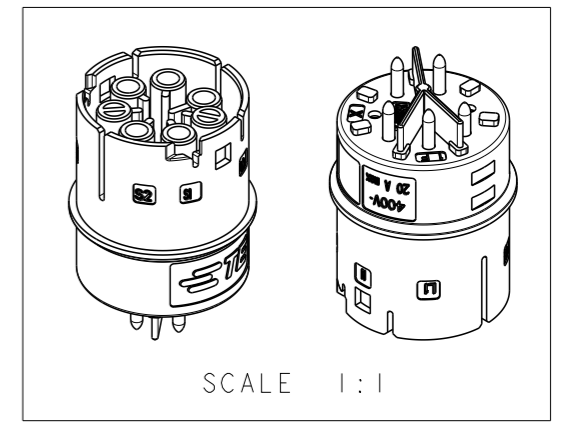
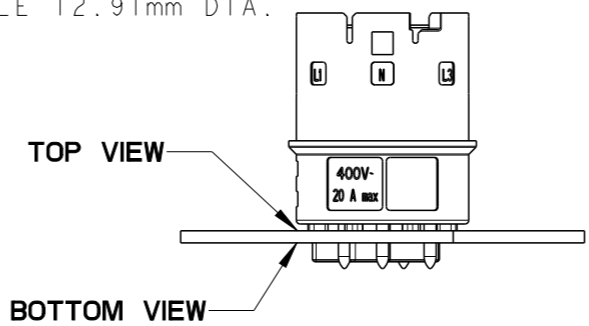
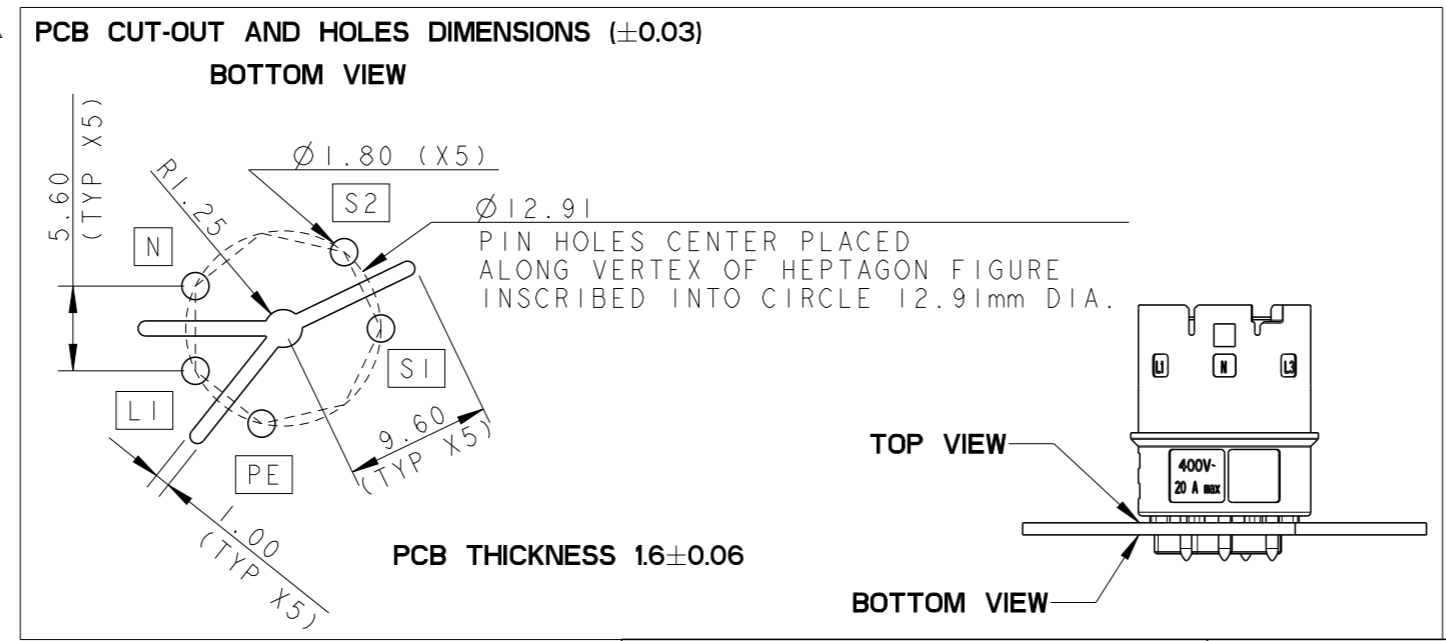
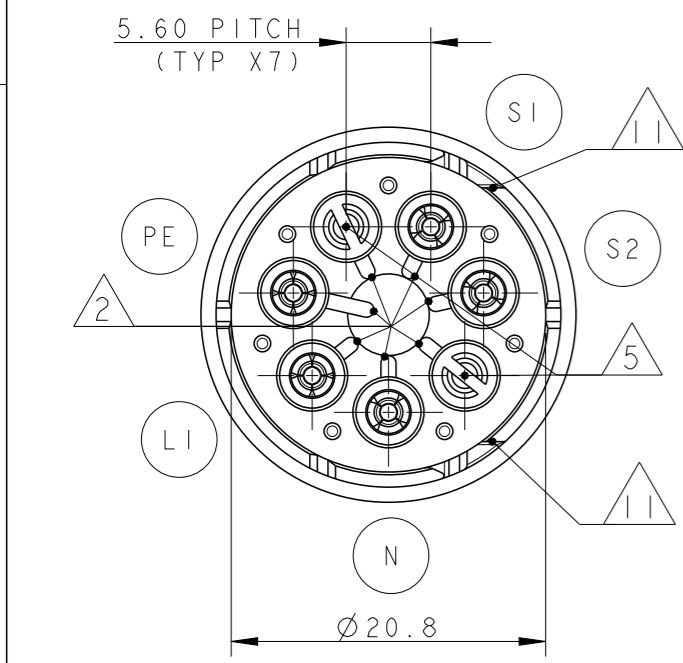


THIS DRAWING IS UNPUBLISHED. RELEASED FOR PUBLICATION 2011  
 © COPYRIGHT 2011 ALL RIGHTS RESERVED.

LOC	DIST	REVISIONS					
		P	LTR	DESCRIPTION	DATE	DWN	APVD
1	-	6		UPDATED	22JUL2013	MZ	JC
		A		PARTS RELEASED FOR PRODUCTION	13NOV2013	MZ	JC



- NOTES:
- 1 MATERIAL: PA GF (NATURAL COLOUR)
  - 2 ALL POLARIZATION KEYS SHOWN FOR REF ONLY
  - 3 WAYS I.D.
  - 4 VOLTAGE AND CURRENT RATINGS
  - 5 RIB CLOSING CAVITIES BY CHANGE OVER
  - 6 TE LOGO
  - 7 AREA FOR AGENCIES APPROVAL LOGO
  - 8 VISUAL INDICATOR FOR PE CONDUCTOR
  - 9) SEE C-DRAWING 293682 (LOCKING CAP) TO GET IP 40
  - 10 POLARISATION KEY "TYPE D" SUITABLE FOR DALI APPLICATION
  - 11 SLOTS TO ALLOW DELATCHING TOOL OPERATION. FOR DELATCHING TOOL AND OPERATION REFER TO APPLICATION SPECIFICATION



THIS DRAWING IS A CONTROLLED DOCUMENT.		DWN M. ZUCCA 04APR2011	TE Connectivity	
DIMENSIONS: mm		CHK M. ZUCCA 04APR2011		
TOLERANCES UNLESS OTHERWISE SPECIFIED:		APVD G. TURCO 04APR2011	NAME SOCKET CONNECTOR PCB VERSION NECTOR* M-LINE 5 POLES	
0 PLC ±- 1 PLC ±0.3 2 PLC ±0.20 3 PLC ±- 4 PLC ±- ANGLES ±3°		PRODUCT SPEC -	RESTRICTED TO -	
MATERIAL -		FINISH -	APPLICATION SPEC -	SIZE A300779
		WEIGHT -	CAGE CODE C-293696	DRAWING NO
		Customer Drawing	SCALE 2:1	SHEET 1 OF 2
				REV A

THIS DRAWING IS UNPUBLISHED.

RELEASED FOR PUBLICATION

2011

© COPYRIGHT 2011

ALL RIGHTS RESERVED.

LOC

DIST

REVISIONS

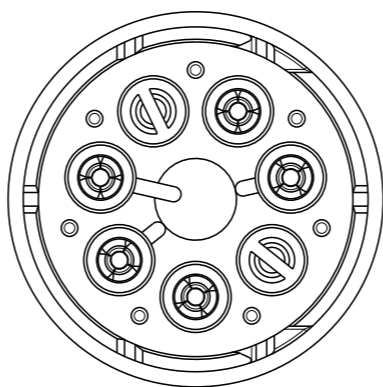
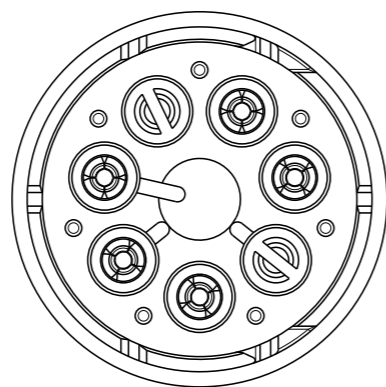
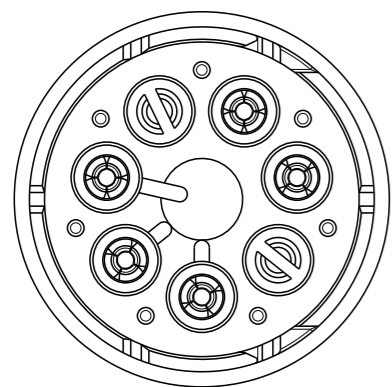
P	LTR	DESCRIPTION	DATE	DWN	APVD
-	-	SEE SHEET 1	-	-	-

POLARIZATION TYPES

POLARIZATION TYPE "A"

POLARIZATION TYPE "B"

POLARIZATION TYPE "C"



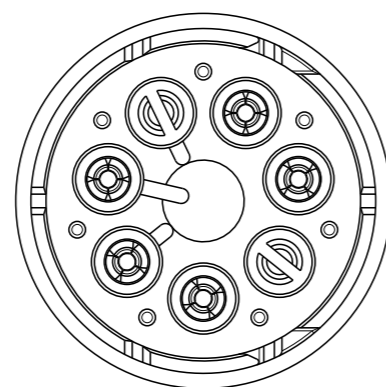
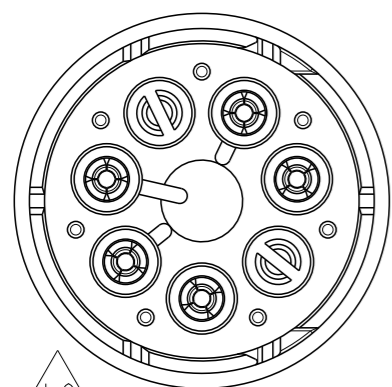
PN 0-293696-1

PN 0-293696-2

PN 0-293696-3

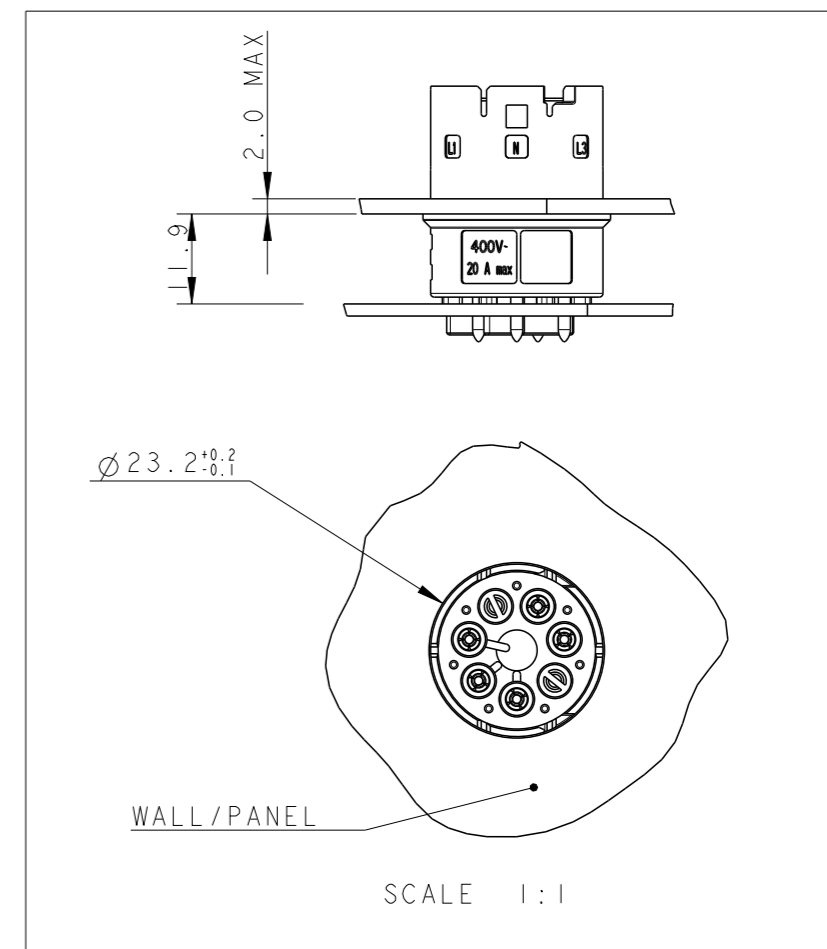
POLARIZATION TYPE "D"

POLARIZATION TYPE "E"



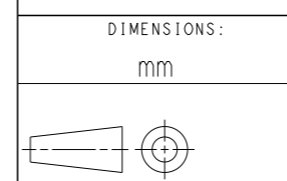
PN 0-293696-4

PN 0-293696-5



	E	NATURAL	SOCKET PCB CONNECTOR, NECTOR* M-LINE 5 POLES	A	0-293696-5
	D	NATURAL	SOCKET PCB CONNECTOR, NECTOR* M-LINE 5 POLES	A	0-293696-4
	C	NATURAL	SOCKET PCB CONNECTOR, NECTOR* M-LINE 5 POLES	A	0-293696-3
	B	NATURAL	SOCKET PCB CONNECTOR, NECTOR* M-LINE 5 POLES	A	0-293696-2
	A	NATURAL	SOCKET PCB CONNECTOR, NECTOR* M-LINE 5 POLES	A	0-293696-1
NOTE	POL. KEYING	COLOUR	DESCRIPTION	REV.	PART NUMBER

THIS DRAWING IS A CONTROLLED DOCUMENT.



MATERIAL -

DIMENSIONS:		TOLERANCES UNLESS OTHERWISE SPECIFIED:	
	mm		
0 PLC		±	
1 PLC		±0.3	
2 PLC		±0.20	
3 PLC		±	
4 PLC		±	
ANGLES		±3°	
FINISH		-	

DWN	M. ZUCCA	04APR2011
CHK	M. ZUCCA	04APR2011
APVD	G. TURCO	04APR2011
PRODUCT SPEC	-	
APPLICATION SPEC	-	
WEIGHT	-	
Customer Drawing		

**STE** TE Connectivity

NAME: SOCKET CONNECTOR PCB VERSION NECTOR\* M-LINE 5 POLES

SIZE	CAGE CODE	DRAWING NO	RESTRICTED TO
A3	00779	C-293696	-

SCALE 2:1 SHEET 2 OF 2 REV A